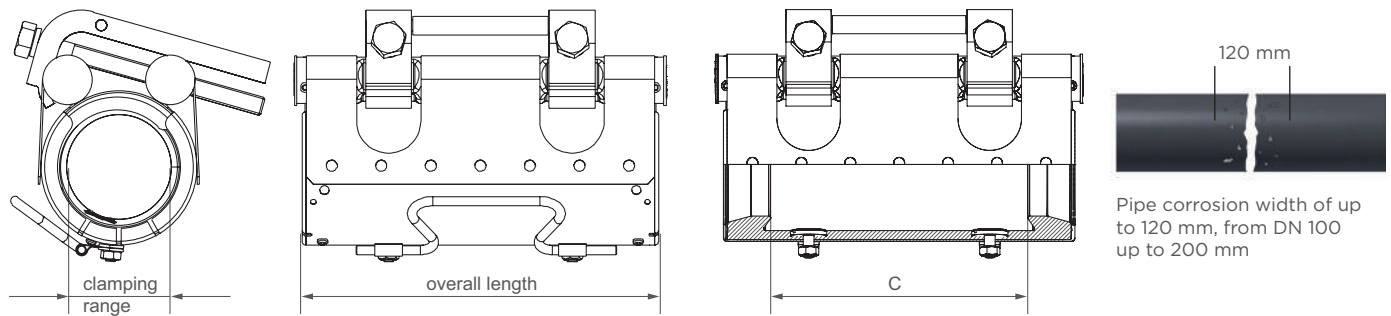


STRAUB-REP-FLEX | DN 40 - DN 150 (overall length 200, 300 mm)

Components	Materials
Jacket sheet	AISI 304
Bolts	AISI 304
Bars	AISI 304

Sealing sleeve EPDM	Temp.: -20°C up to +100°C Medium: all qualities of water, waste water, air, solids and chemical products
Sealing sleeve NBR	Temp.: -20°C up to +80°C Medium: water, gas, oil, fuel and other hydrocarbons



DN	Clamping range [mm]	Overall length [mm]	PN [bar]	C [mm]	Cast iron [mm]	Old cast iron [mm]	Steel [mm]	PE [mm]	Torque rate [Nm]	Allen head [mm]	Thread M...
40	46 - 53	200	16	142	-	51 - 53	46.0 - 49.0	50	10	17	10
40	53 - 60	200	16	142	56	-	-	-	10	17	10
50	56 - 64	200	16	142	-	62 - 64	56.0 - 61.0	63	10	17	10
50 / 60	63 - 71	200	16	142	66	-	70.0 - 71.0	-	10	17	10
60 / 65	72 - 80	200	16	142	77	72 - 74	72.0 - 76.1	75	10	17	10
65 / 70	76 - 83	200	16	142	82	-	77.0 - 79.0	-	10	17	10
70	82 - 89	200	16	142	87	83 - 85	-	-	10	17	10
80	88 - 98	200	16	142	98	94 - 96	88.0 - 89.0	90	10	17	10
90	97 - 108	200	16	142	108	104 - 108	97.0 - 102.0	-	10	17	10
100	108 - 118	200 / 300	16	142 / 245	118	114 - 116	107.0 - 114.3	110/125	10	17	10
100	120 - 130	200 / 300	16	142 / 245	-	123 - 125	-	-	10	17	10
100 / 125	128 - 138	200 / 300	16	142 / 245	-	134 - 137	132.0 - 134.0	-	10	17	10
125	139 - 149	200 / 300	16	142 / 245	144	140 - 143	139.7	140	10	17	10
135 / 150	150 - 160	200 / 300	16	142 / 245	-	150 - 153	157.0 - 160.0	160	10	17	10

CONTINUOUSLY VARIABLE INTERMEDIATE SIZES ON REQUEST

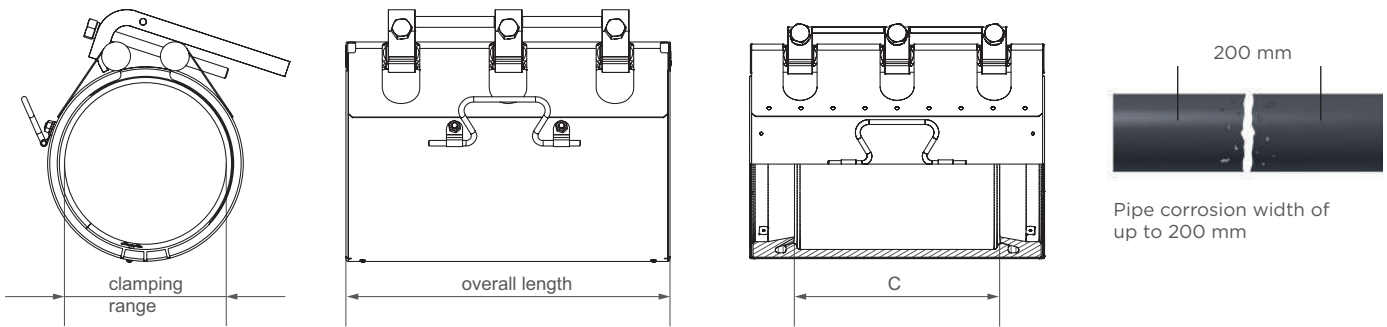
Remarks:

- Follow fitting instructions
- Test pressure = PN x 1.5
- Assembly on pipes can be of various materials

STRAUB-REP-FLEX | DN 150 - DN 400 (overall length 300 mm)

Components	Materials
Jacket sheet	AISI 304
Bolts	AISI 304
Bars	AISI 304

Sealing sleeve EPDM	Temp.: -20°C up to +100°C Medium: all qualities of water, waste water, air, solids and chemical products
Sealing sleeve NBR	Temp.: -20°C up to +80°C Medium: water, gas, oil, fuel and other hydrocarbons



DN	Clamping range [mm]	Overall length [mm]	PN [bar]	C [mm]	Cast iron [mm]	Old cast iron [mm]	Steel [mm]	PE [mm]	Torque rate [Nm]	Allen head [mm]	Thread M...
150	159 - 170	300	16	212	170	166 - 169	168.3	160	20	19	12
165	175 - 185	300	16	212	-	180 - 184	-	-	20	19	12
175	186 - 196	300	16	212	196	191 - 194	183.0 - 191.0	-	20	19	12
175 / 180	196 - 206	300	16	212	-	198 - 200	-	200	20	19	12
190 / 200	206 - 216	300	16	212	-	208 - 211	211.0 - 216.0	-	20	19	12
200	216 - 226	300	16	212	222	218 - 222	219.1	225	20	19	12
225	241 - 251	300	16	212	248	244 - 247	241.0	250	20	19	12
250	264 - 274	300	16	212	274	268 - 273	264.0 - 273.0	-	20	19	12
250	274 - 284	300	16	212	-	-	-	280	20	19	12
300	315 - 325	300	10	212	324	322 - 325	316.0 - 323.9	315	20	19	12
350	355 - 365	300	10	212	-	-	355.6	355	20	19	12
350	368 - 379	300	10	212	378	376 - 379	368.0	-	20	19	12
400	398 - 408	300	10	212	-	-	406.4	400	20	19	12
400	419 - 429	300	10	212	429	426 - 430	419.0	-	20	19	12

CONTINUOUSLY VARIABLE INTERMEDIATE SIZES AND BIGGER DIAMETERS ON REQUEST

Remarks:

- Follow fitting instructions
- Test pressure = PN x 1.5
- Assembly on pipes can be of various materials